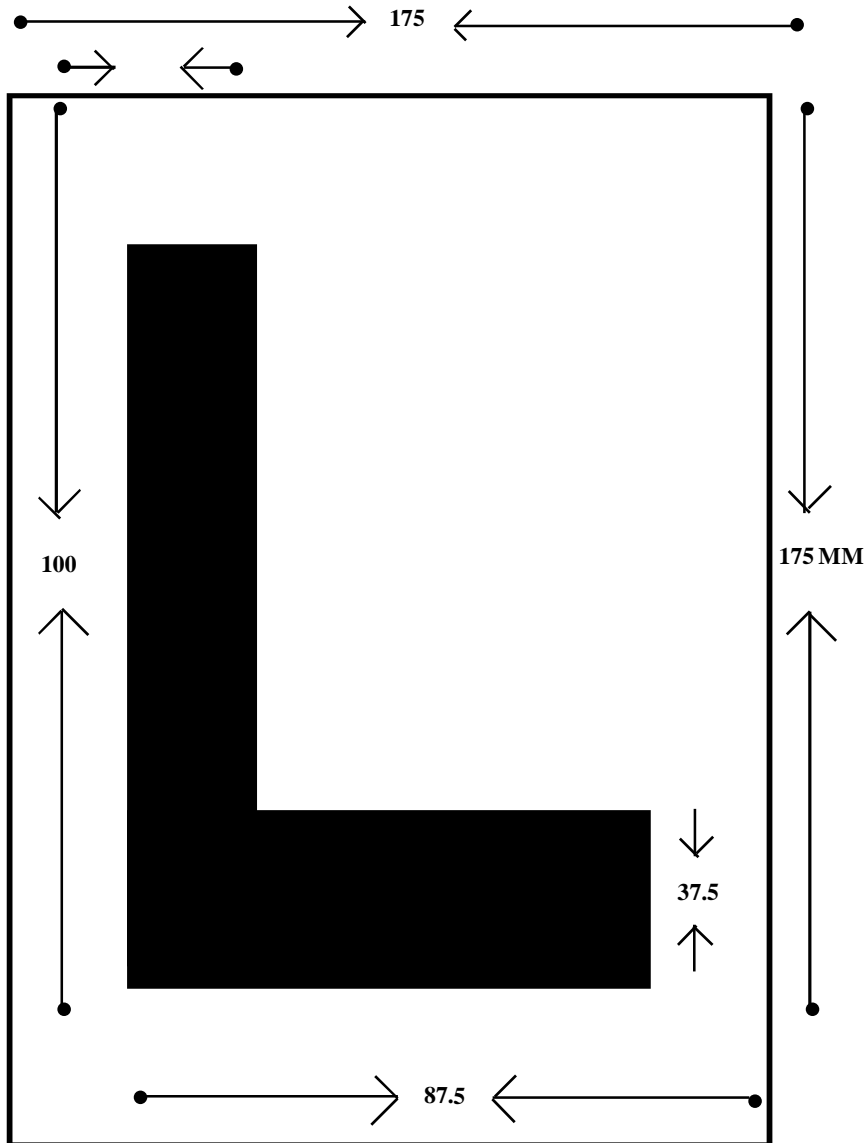
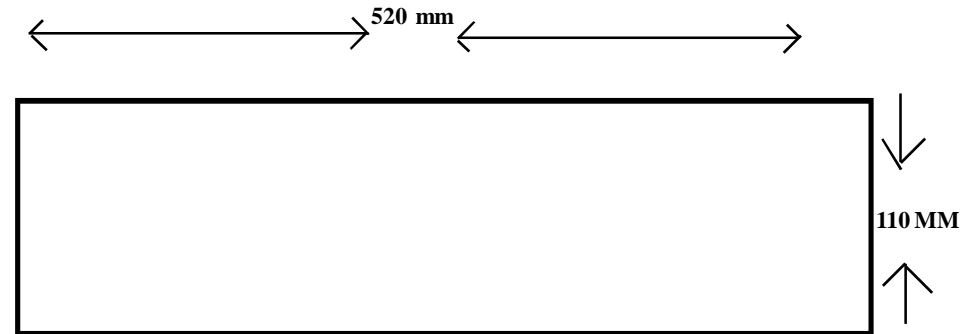


FORM 14
LEARNER DRIVERS SIGN

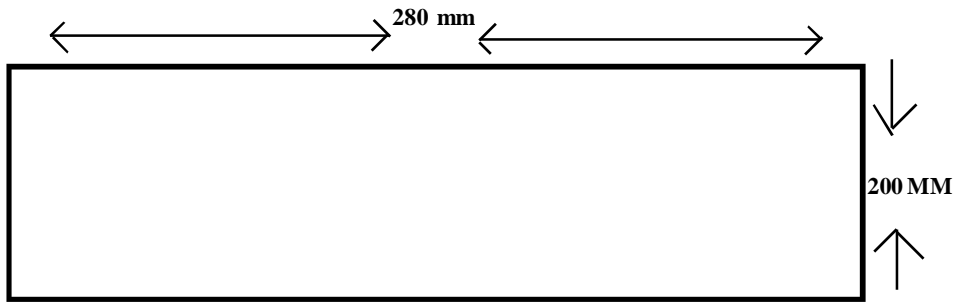


SECOND SCHEDULE
FIGURE 1
MOTOR VEHICLE NUMBER PLATE



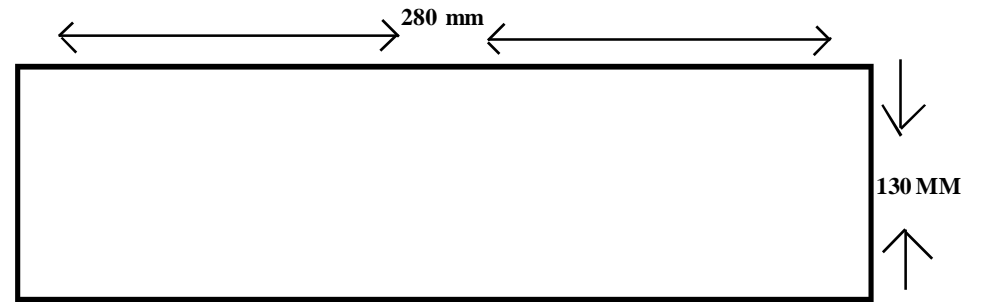
NOMINAL SIZE OF (520 x 110 x 1) mm

FIGURE 1A
MOTOR VEHICLE NUMBER PLATE



NOMINAL SIZE OF (280 x 200 x 1) mm

FIGURE 2
MOTOR CYCLE NUMBER PLATE



NOMINAL SIZE OF (280 x 200 x 1) mm

**THIRD SCHEDULE
FIGURE 4**

PRIVATE VEHICLE NUMBER PLATE



COUNTRY FLAG

IMPORTED BRAND NEW
VEHICLE

VEHICLE NUMBER / (ALPHA NUMERIC

PLATE SERIAL NUMBER AND THE NAME OF COMPANY

OPTOPROOF HOLOGRAM SEAL

AN

ABC 465

NOMINAL SIZE OF (280 x 200 x 1) mm

PR

USE